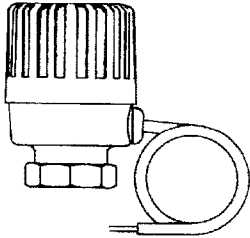


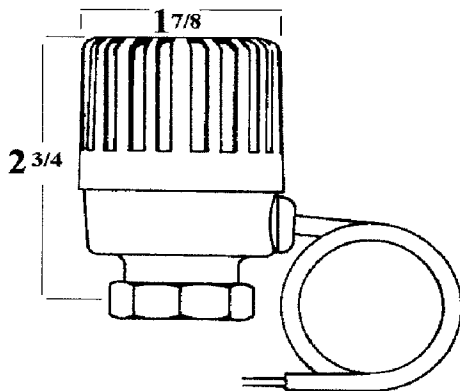
## SUBMITTAL

### Thermo Electric Actuator - 24 V for Fail Open (02-420-00) 24 V for Fail Closed (02-430-00)

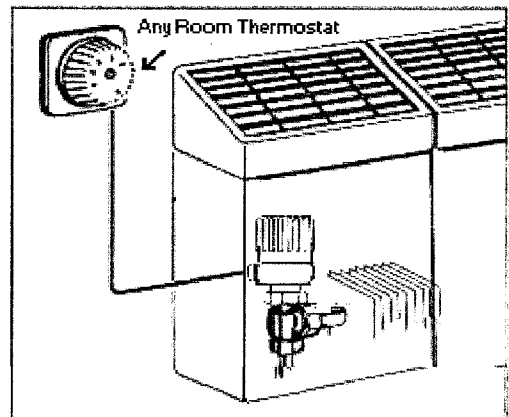


The American Steam Control Thermo Electric Actuator is designed for use with room thermostats. The actuators are used as an open/close or on/off actuator for two-point temperature control in heating and cooling systems. These actuators fit all valve body styles and can be used to control individual radiators or groups of radiators piped in series.

#### Dimensions



#### Typical Installation



CUSTOMER

PROJECT

ENGINEER

ARCHITECT

PRO/PO #

American Steam Control

Division of Walsh Controls, Inc.

[www.americansteamcontrol.com](http://www.americansteamcontrol.com)

101 Pennsylvania Blvd Pittsburgh, PA 15228

412-561-2195 1-888-703-3999

Fax: 412-344-8306